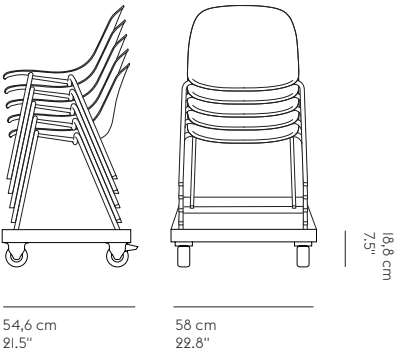


# FIBER SIDE CHAIR – A-BASE TROLLEY

TROLLEY FOR MOVING AND STORING FIBER A-BASE CHAIRS



54.6 cm  
21.5"

58 cm  
22.8"

18.8 cm  
7.5"

#### READY-TO-SHIP OPTIONS



Black

#### YEAR OF DESIGN

2016

#### CATEGORY

Trolley for moving and storing Fiber A-base chairs.

#### ENVIRONMENT

Indoor

#### COUNTRY OF PRODUCTION

Poland

#### PREASSEMBLED

Yes

#### DESCRIPTION

The frame is constructed of 6 mm flat steel which ensures a strong construction. The wheels from Tente ensures easy manoeuvring and can lock.

The trolley has a fixture which secures the position of the chairs on the trolley.

The trolley can withstand a weight of 400 kg / 881.8 lb. We recommend a maximum of 15 chairs.

#### MATERIAL

6 mm powder coated flat steel. High quality wheels from Tente.

#### WEIGHT

20 kg / 44.1 lb

#### MAX. NUMBER OF CHAIRS & WEIGHT

15 pcs. & 400 kg / 881.8 lb

#### CLEANING AND CARE

Wipe clean with a damp cloth.



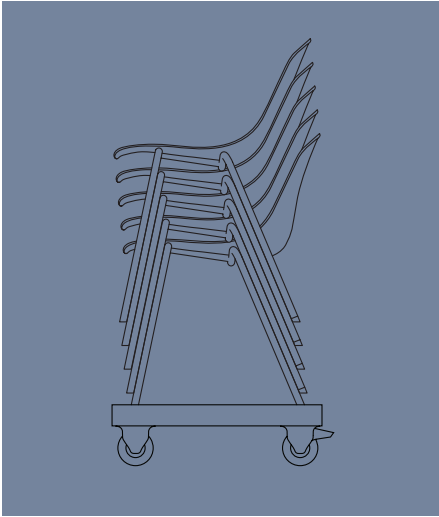
PROFESSIONALS

**rypen**  
STUDIO

Register for Our Exclusive  
Project Builder + Ordering Platform

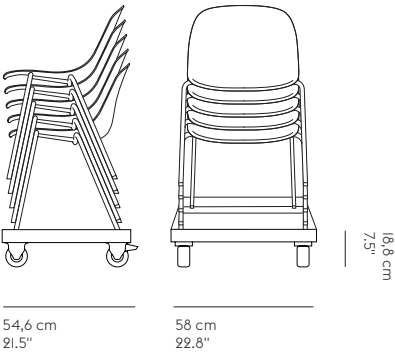
**MUUTO**

FOR PRODUCT INFORMATION, SWATCHES + ORDERING: [HELLO@RYPEN.COM](mailto:HELLO@RYPEN.COM) | 800.560.0554 | [WWW.RYPEN.COM](http://WWW.RYPEN.COM)



# FIBER SIDE CHAIR – A-BASE TROLLEY

TROLLEY FOR MOVING AND STORING FIBER A-BASE CHAIRS



54.6 cm  
21.5"

58 cm  
22.8"

18.8 cm  
7.5"

#### READY-TO-SHIP OPTIONS



Black

#### YEAR OF DESIGN

2016

#### CATEGORY

Trolley for moving and storing Fiber A-base chairs.

#### ENVIRONMENT

Indoor

#### COUNTRY OF PRODUCTION

Poland

#### PREASSEMBLED

Yes

#### DESCRIPTION

The frame is constructed of 6 mm flat steel which ensures a strong construction. The wheels from Tente ensures easy manoeuvring and can lock.

The trolley has a fixture which secures the position of the chairs on the trolley.

The trolley can withstand a weight of 400 kg / 881.8 lb. We recommend a maximum of 15 chairs.

#### MATERIAL

6 mm powder coated flat steel. High quality wheels from Tente.

#### WEIGHT

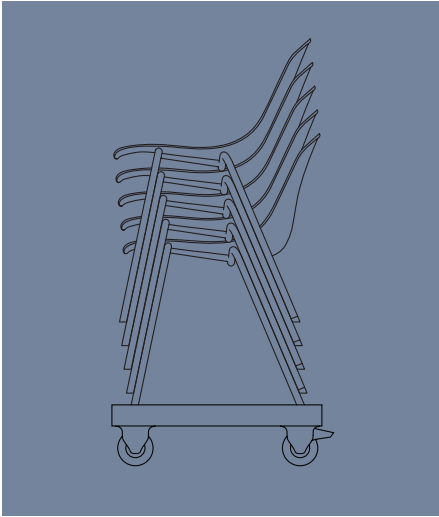
20 kg / 44.1 lb

#### MAX. NUMBER OF CHAIRS & WEIGHT

15 pcs. & 400 kg / 881.8 lb

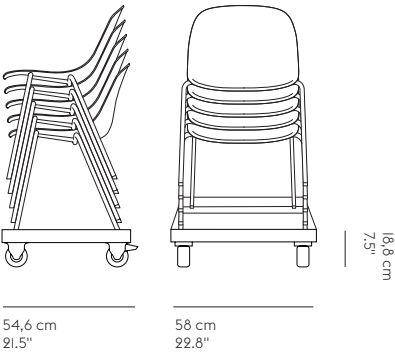
#### CLEANING AND CARE

Wipe clean with a damp cloth.



# FIBER SIDE CHAIR – A-BASE TROLLEY

TROLLEY FOR MOVING AND STORING FIBER A-BASE CHAIRS



54.6 cm  
21.5"

58 cm  
22.8"

18.8 cm  
7.5"

#### READY-TO-SHIP OPTIONS



Black

#### YEAR OF DESIGN

2016

#### CATEGORY

Trolley for moving and storing Fiber A-base chairs.

#### ENVIRONMENT

Indoor

#### COUNTRY OF PRODUCTION

Poland

#### PREASSEMBLED

Yes

#### DESCRIPTION

The frame is constructed of 6 mm flat steel which ensures a strong construction. The wheels from Tente ensures easy manoeuvring and can lock.

The trolley has a fixture which secures the position of the chairs on the trolley.

The trolley can withstand a weight of 400 kg / 881.8 lb. We recommend a maximum of 15 chairs.

#### MATERIAL

6 mm powder coated flat steel. High quality wheels from Tente.

#### WEIGHT

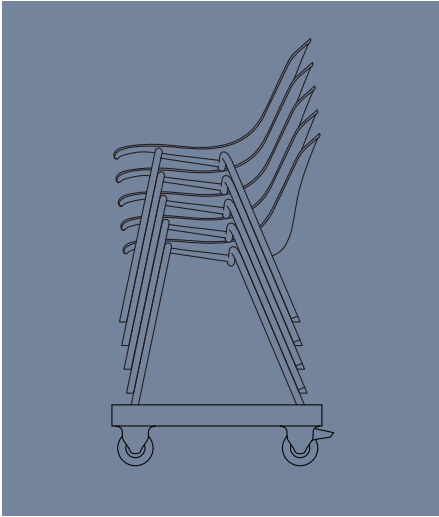
20 kg / 44.1 lb

#### MAX. NUMBER OF CHAIRS & WEIGHT

15 pcs. & 400 kg / 881.8 lb

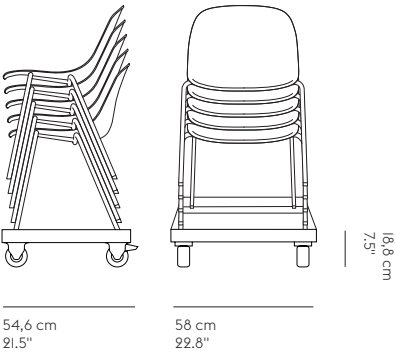
#### CLEANING AND CARE

Wipe clean with a damp cloth.



# FIBER SIDE CHAIR – A-BASE TROLLEY

TROLLEY FOR MOVING AND STORING FIBER A-BASE CHAIRS



54.6 cm  
21.5"

58 cm  
22.8"

18.8 cm  
7.5"

#### READY-TO-SHIP OPTIONS



Black

#### YEAR OF DESIGN

2016

#### CATEGORY

Trolley for moving and storing Fiber A-base chairs.

#### ENVIRONMENT

Indoor

#### COUNTRY OF PRODUCTION

Poland

#### PREASSEMBLED

Yes

#### DESCRIPTION

The frame is constructed of 6 mm flat steel which ensures a strong construction. The wheels from Tente ensures easy manoeuvring and can lock.

The trolley has a fixture which secures the position of the chairs on the trolley.

The trolley can withstand a weight of 400 kg / 881.8 lb. We recommend a maximum of 15 chairs.

#### MATERIAL

6 mm powder coated flat steel. High quality wheels from Tente.

#### WEIGHT

20 kg / 44.1 lb

#### MAX. NUMBER OF CHAIRS & WEIGHT

15 pcs. & 400 kg / 881.8 lb

#### CLEANING AND CARE

Wipe clean with a damp cloth.